

Monthly Puzzle Handbook

March
Edition

12 Handpicked Puzzles

Features

- 1 Prelims + Mains Level Puzzles
- 2 With detailed Solutions
- 3 Based on recent patterns
- 4 Ideal for SBI Clerk & PO

DOWNLOAD OUR **APP**



Quizzes



Newsfeed



24x7 Forum

exampundit



fb.com/exampundit



twitter.com/exampundit

Puzzle 1

8 People lives in a 10 story apartment-A B C D E F G H. The topmost floor is numbered as 9 and the lowermost is the ground floor. Six of them have six different cars. E does not live on the topmost floor. One of the even numbered floor is vacant. G has Rapid and lives exactly in the middle floor of the two vacant floors. B either has Scorpio or has no car. There are not more than 3 people between C and the one who has i20. The one who has XUV lives immediately below one of the vacant floors. D has no car and F lives on the 8th numbered floor and has Wagon R. C does neither have Scorpio nor i20 and lives on an odd numbered floor which might be immediately above the even numbered vacant floor. Neither 5th floor nor 1st floor is vacant. There are 2 floors gap between one of the vacant floors and the one who has Alto. There are only two people above C. Neither second floor nor 4th floor is a vacant one. E neither has Scorpio nor XUV. A neither has Scorpio nor lives on second floor. The one who lives on first floor does not have Scorpio. H lives on an even numbered floor. The number of people lives above A is less than the number of people lives below A.

1. Who lives between H and the one who has i20?

- (A) G
- (B) B
- (C) C
- (D) cannot be determined

2. Which two floors are vacant?

- (A) 4th and 7th floor.
- (B) 4th and Ground floor.
- (C) Ground floor and 6th floor.
- (D) cannot be determined

3. The car C has is-

- (A) Scorpio
- (B) No car
- (C) XUV
- (D) none of these.

4. The car E has is-

- (A) Alto
- (B) Scorpio
- (C) Wagon R
- (D) none of these

5. Who lives on the topmost floor?

- (A) B
- (B) D
- (C) A
- (D) Cannot be determined

6. G lives on-

- (A) 5th floor
- (B) 3rd floor
- (C) First floor
- (D) A or B

7. H lives on:

- (A) 4th floor
- (B) Cannot be determined
- (C) 5th floor
- (D) 2nd floor

8. How many people are living below D?

- (A) 3
- (B) 2
- (C) 1
- (D) None

9. Who lives on 5th floor?

- (A) B
- (B) A
- (C) E
- (D) None of these

10. How many people are above the one who has XUV?

- (A) 3
- (B) 4
- (C) 2
- (D) None

Puzzle 2

Six lakes P,Q,R,S,T,U are situated in six different cities: Kolkata, Lucknow, Chennai, Pune,Bengaluru, Indore but not necessarily in the same order. They are of different depth also. Lake T is neither in Chennai nor in Pune and its depth is neither 30ft nor 20ft. The second highest deep lake is neither in Indore nor is Q. The lake S is in Lucknow, but its depth is neither 20ft nor more than 30ft. Lake R is neither in Bengaluru nor is the highest one. The lake in Chennai is of 25ft depth but neither the lake R nor P is situated there. Neither Q nor R is situated in Indore. Neither Q nor P is of highest depth. The lake in Pune is of highest depth. The depth of the lake in Lucknow is not the lowest.

1. Which lake is in Chennai?

- (A) Q
- (B) P
- (C) T
- (D) U

2. What is the depth of the lake in Bengaluru?

- (A) 20ft
- (B) 45ft
- (C) 10ft
- (D) 25ft

3. U is in-

- (A) Lucknow
- (B) Kolkata
- (C) Indore
- (D) None of thses

4. The lake R is in-

- (A) Kolkata
- (B) Pune
- (C) Bengaluru
- (D) Chennai

5. The depth of the lake S is-

- (A) Lucknow
- (B) Kolkata
- (C) Pune
- (D) None of these

Puzzle 3 & 4

Q. (1-5) Study the following information and answer the question.

Eight friends namely A, B, C, D, E, F, G and H live on eight different floors of a building, not necessarily in the same order. The lowermost floor of the building is numbered 1 and the topmost floor is numbered 8. F lives on a floor immediately below that of H. H lives on an even numbered floor above the floor numbered 3. Only two people live between C and D's floor. There are as many people live between H and D as there are between A and D. E lives immediately above G. Only two people live between A and G. Only three people live between F and C's floor.

Q.1 who among the following lives on fifth floor?

- (a) A

- (b) D
- (c) B
- (d) Cannot be determined
- (e) None of these.

Q.2 who among the following lives on the third floor?

- (a) E
- (b) C
- (c) A
- (d) B
- (e) None of these.

Q.3 who lives three floor below to B?

- (a) C
- (b) E
- (c) G
- (d) D
- (e) None of these.

Q.4 How many people live between D and B?

- (a) One
- (b) Two
- (c) Three
- (d) None
- (e) None of these.

Q.5 D is related to H, F is related to B. In the same way, who is related to A?

- (a) B
- (b) G
- (c) D
- (d) C
- (e) None of these.

Q. (6-10) Study the following information and answer the question.

A, B, C, D, E, F and G are seven friends. They live in a 7 floors building in which the ground floor is numbered 1 and the topmost floor is numbered 7. Only one person lives at one floor. Each of them likes different colours i.e. Pink, Yellow, Green, Black, Red, Blue and White, not necessarily in the same order.

Three people live between the people who like White and Yellow colours. A lives on fourth floor and he likes Green colour. The one who likes Red colour lives immediately above the one who likes Yellow colour. F lives four floor above the one who likes Blue colour. There is one floor between G and C. B doesn't live below C. B lives immediately below D. The one who likes Blue colour doesn't live below the person who likes Pink colour. C and the person who likes Red colour are three floors away from each other.

Q.6 Yellow is related to Blue, in the same way F is related to G. Then in the same way who is related to C?

- (a) D
- (b) A
- (c) B
- (d) E
- (e) None of these.

Q.7 who lives three floors below B?

- (a) The one who likes Blue
- (b) The one who likes White
- (c) E
- (d) G
- (e) None of these.

Q.8 who among the following likes Black?

- (a) D
- (b) F

- (c) C
- (d) B
- (e) None of these.

Q.9 C lives on which floor?

- (a) 1st
- (b) 2nd
- (c) 3rd
- (d) 5th
- (e) None of these.

Q.10 who lives on the second floor?

- (a) G
- (b) Who drinks pink
- (c) Who likes white
- (d) Either b or c
- (e) None of these.

Puzzle 5 & 6

Read the following and solve the questions based on it.

In an Engineering College, five students from five different cities were elected as Secretaries by the students to perform different student activities. Each student studies in different branch of engineering. Additionally, the following information is provided : Abhishek does not stay in the Aravalli hostel where the student from Nagpur stays. The student, whose name is not Abhishek and does not study in Metallurgy, stays in Satpura hostel. He is the only student among the five to stay at Satpura hostel. Hardeep neither belongs to Jodhpur, nor does he study Mechanical Engineering. The student-in-charge of Cultural activity stays in the Aravalli hostel where Civil Engineering student does not stay. Sanjoy and the student, who studies Metallurgy, both stay in the same hostel. The student who belongs to Allahabad does not stay with the student-in-charge of the Sports activity staying at Aravalli hostel. Sanjoy is not the student-in-charge of

the Cultural activity. Ravi, the student-in-charge of Mess activity, stays at Satpura hostel. The student from Patna and the student, who studies Mechanical Engineering, both stay at Aravalli hostel. They are the only two among the five students to stay at this hostel. The student, who stays at Satpura hostel, studies Computer Science. Hemant, who does not belong to Kochi, studies Chemical Engineering. He is not the General Secretary of the Student Body. Sanjoy does not belong to Allahabad. The student from Kochi and student-in-charge of Placement activity, both stay at the Vindhya hostel.

1. Which of the following statement(s) is (are) incorrect?

- I. The Chemical Engineering student and the student-in-charge of Cultural activity, both stay in the same hostel.
- II. The student-in-charge of Placement activity is studying Metallurgy.
- III. The student who belongs to Nagpur is the student-in-charge of Sports activity.
- IV. Ravi belongs to Jodhpur.

- (a) Only I
- (b) Both I and II
- (c) All of I, II, and III
- (d) None of the statements is incorrect

2. Which of the following statement(s) is (are) incorrect?

- I. Sanjay and Abhishek stay at the same hostel.
- II. The General Secretary of the Student Body studies Mechanical Engineering.
- III. The student who belongs to Patna is studying Metallurgy.
- IV. The student who belongs to Kochi is studying computer Science.

- (a) Only I
- (b) Only II
- (c) Only III

(d) None of the statements is correct

3. The student who belongs to Allahabad is studying in ____ .

- (a) Metallurgy
- (b) Mechanical Engineering
- (c) Civil Engineering
- (d) None of the above

4. The General Secretary of the Student Body belongs to:

- (a) Patna
- (b) Nagpur
- (c) Kochi
- (d) Jodhpur

Read the following passage and solve the questions based on it.

Taking note of the day-long heavy queue in front of the Tarangabad Transport Department office everyday for obtaining transport permits, the City Administration comes out with a 'Single Office-Five Windows' system for facilitating the process. For simplicity, the windows are named as W1, W2, W3, W4 and W5 respectively. Office hours are from 8:00 AM to 5:30 PM, barring Saturday, when the office closes by 2.30 PM. To streamline the rush and reduce pressure on the employees, the working hours of the aforesaid windows are defined in the following manner : W1 is open between 9.30 AM and 2.30 PM on Monday and Wednesday, between 8.00 AM and 11.30 AM on Tuesday and Thursday and between 3.00 PM and 5.00 PM on Friday. W2 is open between 8.30 AM and 11: 30 AM on Wednesday and Thursday, between 8.00 AM and 10.00 AM on Friday, and between 12.30 PM and 2.30 PM on Monday and Saturday. W3 is open between 10.00 AM and 12.30 PM on Wednesday and Saturday, between 10.00 AM and 12.00 Noon on Friday and between 3.30 PM to 5.30 PM on Monday and Thursday. W4 is open between 11.30 AM and 3.00 PM on Tuesday, between 12: 30 PM and 3.00 PM on Thursday and Friday, between 8.00 AM and 10.00 AM

on Saturday and Monday and between 3:30 PM to 5:30PM on Wednesday. W5 is open between 2.00 PM and 4.00 PM on Monday, 3.30 PM and 5.30 PM on Tuesday and Friday, between 8 AM and 10 AM on Wednesday and between 10.30 AM to 12.30 PM on Thursday.

5. On which of the following days, maximum number of windows is simultaneously open at 9.45 AM?

- (a) Monday
- (b) Wednesday
- (c) Thursday
- (d) Friday

6. On which of the following days, not more than one window is open simultaneously at any given time during office hours ?

- (a) Monday
- (b) Wednesday
- (c) Friday
- (d) Saturday

7. All windows of the transport permit office are closed for 1 hour during the office hours on which of the following days?

- (a) Wednesday
- (b) Monday
- (c) Tuesday
- (d) Thursday

Puzzle 7

Eight EPians live in an eight storied exampundit building- A,B,C,D,E,F,G,H. They were born on various dates of the same year - 1st January, 23rd January, 4th April, 15th June, 6th July, 17th August, 24th September, 23rd October. The floors are numbered from 1 to 8 like ground floor is numbered as 1st

numbered floor and the top most floor is numbered as 8th numbered floor.

F lives on an even numbered floor and was born in the same month with the person who lives on second floor. The one who lives on the top most floor has birthday in the month which has 30days. C has birthday on 15th June and lives on an odd numbered floor between the persons who have birthdays on 23rd January and 24th September. G doesn't have birthday on an odd numbered date but in the month which has 31days. D may live immediately below the person who has birthday on 23rd January. E was born immediately before F. A who has birthday neither on 17th August nor on 24th September lives above G. The one who has birthday on 17th August lives immediately below the one who has birthday on 4th April. H does not live on the top most floor.

1. Who lives on 6th floor?

- a) F
- b) G
- c) H
- d) Cannot be determined.

2. Who lives immediately below A?

- a) H
- b) The one who has birthday on 1st January.
- c) D
- d) None

3. Who has birthday on 23rd October?

- a) A
- b) B
- c) C
- d) D

4. C has birthday on:

- a) 17th August

- b) Cannot be determined.
- c) 15th June.
- d) 4th April.

5. G lives on:

- a) 2nd floor.
- b) 3rd floor.
- c) 5th floor.
- d) 1st floor.

6. F's birthday comes on:

- a) 23rd January
- b) 1st January
- c) 24th September
- d) Cannot be determined.

7. Who lives between E and H?

- a) D
- b) C
- c) A
- d) B

8. How many people live between G and D?

- a) 2
- b) 6
- c) 4
- d) None

9. Who lives on the top most floor?

- a) A
- b) C
- c) D

d) B

10. How many people live above D?

- a) 1
- b) 2
- c) 3
- d) 5

Puzzle 8 & 9

Study the following information carefully answer the given questions :

Eight friends, Meenal, Rumia, Shikha, Ali, Peter, Harleen, Ketan and Bharat, are sitting around a square table in such a way that four of them sit at four corners of the square while four sit in the middle of each of the four sides. The ones who sit at the four corners face the centre while those who sit in the middle of the sides face outside. Bharat sits second to the right of Shikha. Bharat does not sit at any of the corners. Meenal sits third to the right of Peter. Peter is not an immediate neighbour of Shikha. Rumia and Ketan are immediate neighbours of each other but Rumia does not sit at any of the corners of the table. Harleen is an immediate neighbour of neither Peter nor Shikha.

1. Four of the following five are alike in a certain way and so form a group. Which is the one that does not belong to that group?

- (a) Peter
- (b) Rumia
- (c) Harleen
- (d) Shikha
- (e) Bharat

2. Who sits third to the left of Ali?

- (a) Bharat
- (b) Rumia

(c) Shikha

(d) Peter

(e) Cannot be determined

3. What is the position of Peter with respect to Meenal?

- (a) Immediate to the left
- (b) Second to the left
- (c) Third to the left
- (d) Third to the right
- (e) Second to the right

4. Who amongst the following sits second to the right of Ketan?

- (a) Shikha
- (b) Ali
- (c) Bharat
- (d) Harleen
- (e) Meenal

5. Who amongst the following represent the immediate neighbours of Harleen?

- (a) Meenal, Ketan
- (b) Bharat, Rumia
- (c) Bharat, Meenal
- (d) Ali, Rumia
- (e) Ali, Ketan

Study the following information carefully to answer the given questions :

Seven participants A, B, C, D, E, F and G are sitting in a straight line facing east. All of them have participated in a hundred-metre race. B sits fourth to the right of the person whose rank is 6th in the race. Either B or the sixth ranker sits at the extreme end of the line. Only one person sits between B and G. G is the third ranker.

The person whose rank is first sits third to the left of D. D is not an immediate neighbour of G. Only one person sits between E and the person who finished at the second place. A and C are immediate neighbours. A is not at the sixth rank. The person whose rank is fifth sits third to the left of the person who finished seventh.

6. Who ranked at the fourth place?

- (a) A
- (b) B
- (c) C
- (d) D
- (e) F

7. E's rank in the race is

- (a) First
- (b) Second
- (c) Fifth
- (d) Sixth
- (e) Seventh

8. How many persons are sitting between A and F?

- (a) One
- (b) Two
- (c) Three
- (d) Four
- (e) Five

Puzzle 10 & 11

Read the following information carefully and answer the questions given below:

Seven teachers A, B, C, D, E, F and G teach in the Science section of XII of a particular school. They teach one of the following subjects – Zoology, Botany, Chemistry, Physics and Maths. Two teachers each teach Physics and Chemistry. Both the Chemistry

teachers and one from Biology, and Maths each has cleared UGC (NET). Four teachers are females – B, C, F and G. Of them two are married. Two teachers are members of PTA executive council, out of which only one is male. However, none of the married teachers are its members. All the married teachers except one are class teachers of one class or the other. There are four married teachers A, B, D and F. There are three subject teachers. None of the married women teachers have cleared UGC (NET). Two male teachers have cleared NET out of which one is married. He is Mr A, a subject teacher. He is not from PCM stream. He teaches Botany or Zoology. The PTA members are not from exclusive PCM or PCB stream. Both the teachers are subject teachers and not class teachers. PTA members teach same subject. Only Mrs B teaches Botany. G is a class teacher.

1. Who among the following are the PTA members?

- (a) A and B
- (b) B and C
- (c) C and D
- (d) C and E
- (e) None of these

2. What does G teach?

- (a) Maths
- (b) Physics
- (c) Chemistry
- (d) Can't be determined
- (e) None of these

3. Who is the male class teacher?

- (a) F
- (b) D
- (c) A
- (d) Either D or E
- (e) None of these

4. Which of the following combinations is correct?

- (a) A - NET cleared - Married - Botany
- (b) B - Not cleared - Married - Botany
- (c) C - NET cleared - Married - Chemistry
- (d) D - NET cleared - Married - Physics
- (e) E - NET cleared - Married – Chemistry

5. Which of the following combinations is incorrect?

- (a) E - Unmarried - Male - Chemistry
- (b) C - Unmarried - Female - Chemistry
- (c) A - Married - Male - Zoology
- (d) B - Married - Female - Botany
- (e) G - Married - Female – Maths

Study the following information carefully answer the given questions :

Twelve persons are sitting in two parallel rows containing six persons each, in such a way that there is an equal distance between adjacent persons. In row– 1, A, B, C, D, E and F are seated (but not necessarily in the same order) and all of them are facing south. In row– 2, P, Q, R, S, T and V are seated (but not necessarily in the same order) and all of them are facing north. Therefore, in the given seating arrangement each person seated in a row faces another person of the other row. A sits third to the left of E. The person facing A sits second to the left of T. Two persons are sitting between T and P. C and D are immediate neighbours. C and D do not sit at any of the extreme ends of the line. Only one person sits between B and C. The person facing D is an immediate neighbour of Q. V is not an immediate neighbour of P. S does not face A.

6. Who amongst the following sits seconds to the right of the person who faces R ?

- (a) C
- (b) D
- (c) B

- (d) E
- (e) Cannot be determined

7. Which of the following statements regarding B is true?

- (a) B sits second to the left of C
- (b) A sits to immediate left of B
- (c) T faces B
- (d) D is an immediate neighbour of B
- (e) The person who faces B is an immediate neighbour of S

8. Who amongst the following faces P ?

- (a) A
- (b) D
- (c) C
- (d) E
- (e) Cannot be determined

9. Who amongst the following sits exactly between T and R ?

- (a) V
- (b) Q
- (c) S
- (d) P
- (e) Cannot be determined

10. Four of the following five are alike in a certain way based on the given seating arrangement and thus form a group. Which is the one that does not belong to the group ?

- (a) F
- (b) Q
- (c) T
- (d) C

(e) E

Puzzle 12

There are 8 people A,B,C,D,E,F,G,H are seating around a circular table facing inside. They were born in different years: 1988, 1989, 1990, 1991, 1992, 1993, 1994, 1995. The youngest one is on the third right of the one who was born in 1990. B and C are seating opposite to each other. E was neither born in 1989 nor in 1988. B is the immediate neighbour of the one who was born in 1990. The person who was born in 1993 is on the second left of B. The oldest one is on the immediate right of C. Neither the oldest nor the youngest one is the immediate neighbour of the one who was born in 1991. F was born in 1992 and is on the immediate left of C. B was neither born in 1989 nor in 1994. D is junior to F and on the immediate left of F. A is in between of C and G. C is senior to D but junior to G.

1. Who was the youngest one?

- (A) D
- (B) A
- (C) C
- (D) Cannot be determined

2. Who was born in 1990?

- (A) B
- (B) E
- (C) C
- (D) H

3. Who is on the immediate right of A?

- (A) C
- (B) G
- (C) H
- (D) None of these

4. Who is facing D?

- (A) G
- (B) B
- (C) C
- (D) A

5. The person on the immediate right of H was born in-

- (A) 1994
- (B) 1991
- (C) 1995
- (D) 1993

6. H was born in-

- (A) 1990
- (B) 1991
- (C) 1989
- (D) Cannot be determined

7. Who was the oldest one?

- (A) A
- (B) B
- (C) C
- (D) D

8. The birth year of C is:

- (A) 1995
- (B) 1992
- (C) 1990
- (D) None of these

9. Who is on the second left of A?

- (A) C
- (B) F
- (C) B
- (D) D

10. Who was born in 1989?

- (A) E
- (B) B
- (C) D
- (D) None of these

Solutions

Puzzle 1

Answers:

1. Ans: A
2. Ans: C
3. Ans: B
4. Ans: D
5. Ans: A
6. Ans: B
7. Ans: A
8. Ans: D
9. Ans: B
10. Ans: A

Solution:

Floor	Person	Car
9	B	Alto
8	F	Wagon R
7	C	no car
6	Vacant	Vacant
5	A	XUV
4	H	Scorpio
3	G	Rapid
2	E	i20
1	D	no car
Ground Floor	Vacant	Vacant

Puzzle 2

Answers:

1. Ans: A
2. Ans: C
3. Ans: D
4. Ans: A
5. Ans: A

Solution

Lake	Location	Depth
R	Kolkata	45ft
P	Indore	20ft
U	Pune	50ft
T	Bengaluru	10ft
Q	Chennai	25ft
S	Lucknow	30ft

Puzzle 3 & 4

Answers:

1. C
2. B
3. B
4. D
5. C
6. C
7. C
8. B
9. C
10. B

Solutions

1-5:

Floor	Person
8	H
7	F
6	D
5	B
4	A
3	C
2	E
1	G

Copyright: **exampundit**

6-10:

Person	Floor	Colour
F	7	Black
D	6	Red
B	5	Yellow
A	4	Green
C	3	Blue
E	2	Pink
G	1	White

Puzzle 5 & 6

Answers:

1. B
2. C
3. D
4. C
5. B
6. D
7. A

Solutions:

1-4:

Name	Actevity	Hostel	Discipline	City
Ravi	Mess	Satpura	Comp sc	Jodhpur
Sanjay	Sports	Aravali	Mech. Engg	Nagpur
Hardeep	Cultural	Aravali	Metallurgy	Patna
Abhishek	Student Body	Vindhya	Civil Engg	Kochi
Hemant	Placement	Vindhya	Chemical Engg	Allahabad

5-7:

	W ₁	W ₂	W ₃	W ₄	W ₅
Monday	9:30 AM to 2:30 AM	12:30 PM to 2:30 PM	3:30 PM to 5:30 PM	8:00 AM to 10:00 AM	2:00 PM to 4:00 PM
Tuesday	8:00AM to 11:30AM	—	—	11:30AM to 3:00 PM	3:30 PM to 5:30PM
Wednesday	9:30 AM to 2:30 PM	8:30AM to 11:30 AM	10:00 AM to 12:30 PM	3:30 PM to 5:30 PM	8:00 AM to 10:30 AM
Thursday	8:00 AM to 11:30 PM	8:30 AM to 11:30	3:30PM to 5:30PM	12:30PM to 3:00 PM	10:30 AM to 12:30
Friday	3:00 PM to 5:00 PM	8:00 AM to 10:00	10:00 AM to 12:30 PM	12:30 PM to 3:00 PM	3:30 PM to 5:30PM
Saturday	—	12:30 PM to 2:30 PM	12:30 PM	10:00 AM to 10:00 AM	—

Office : Timings — 8:00 AM to 5 : 30 PM from Monday to Friday and 8 : 00 AM to 2 : 30 PM on Saturday.

Puzzle 7

Answers:

1. Ans: A
2. Ans: B
3. Ans: A
4. Ans: C
5. Ans: D
6. Ans: A
7. Ans: C
8. Ans: C
9. Ans: D
10. Ans: C

Solutions:

Person	Birthdate	Floor
A	23 October	3
B	24 September	8
C	15 June	7
D	4 April	5
E	1 January	2
F	23 January	6
G	6 July	1
H	17 Aug	4

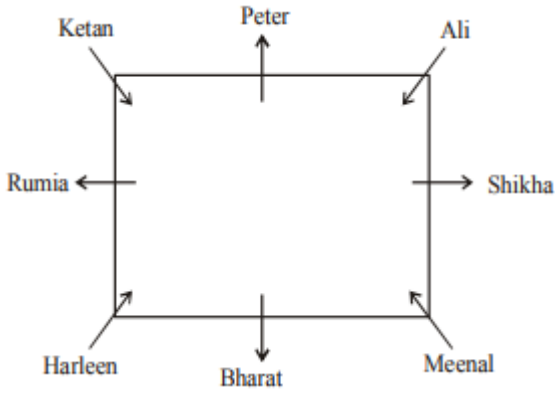
Puzzle 8 & 9

Answers:

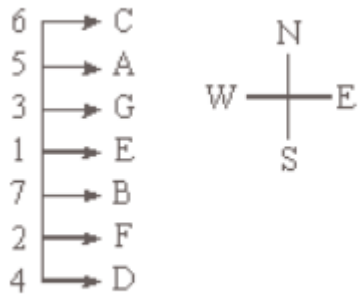
1. C
2. A
3. D
4. D
5. B
6. D
7. A
8. C

Solutions

1-5:



6-8:



Puzzle 10 & 11

Answers

1. D
2. A
3. B
4. B
5. E
6. B
7. A
8. C
9. A
10. D

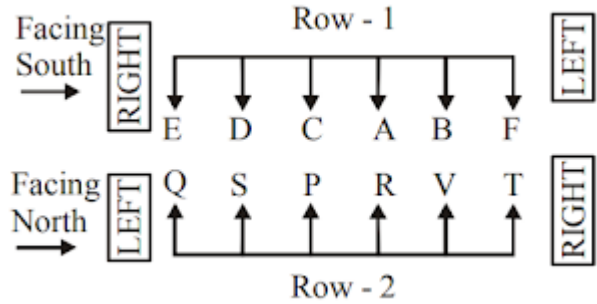
Solutions:

1-5:

There are seven teachers (clue i) and five subjects (clue ii). Four are ladies B, C, F and G (clue iv). Rest are males. Four are married A, B, D and F (clue v). Rest are unmarried. Mr A is a subject teacher and he teaches either Botany or Zoology (clue vi) but (clue ix) tells Mrs B teaches Botany, So Mr A teaches Zoology. Clue ix also tells about G being a class teacher. Clue v says all married teachers except one are class teachers. Since A is married and is a subject teacher, the remaining B, D and F would be class teachers. (Clue iv) says unmarried teachers can only be PTA member whereas (clue vii) says they are subject teachers, So they are bound to be C and E. (clue vi) says no married female teacher has done UGC. Two male teachers have done it one is married Mr A and one is unmarried, Mr E. Mr D hasn't done it, so C and G must have done it because there are four teachers who have done it (2-Chem, 1-Math, 1-Zoology). So the subject left is Physics. So obviously D and F teach Physics. Since PTA members teach same subject (clue viii), C and E teach Chem, leaving G to teach Maths.

	Name	Sex	Marital Staus	UGC NET	Subject	Class tea/Su-bj tea	PTA
1	A	M	M	√	Zoology	ST	×
2	B	F	M	×	Botany	CT	×
3	C	F	UN	√	Chem.	ST	PTA
4	D	M	M	×	Physics	CT	×
5	E	M	UN	√	Chem.	ST	PTA
6	F	F	M	×	Physics	CT	×
7	G	F	UN	√	Maths	CT	×

6-10:

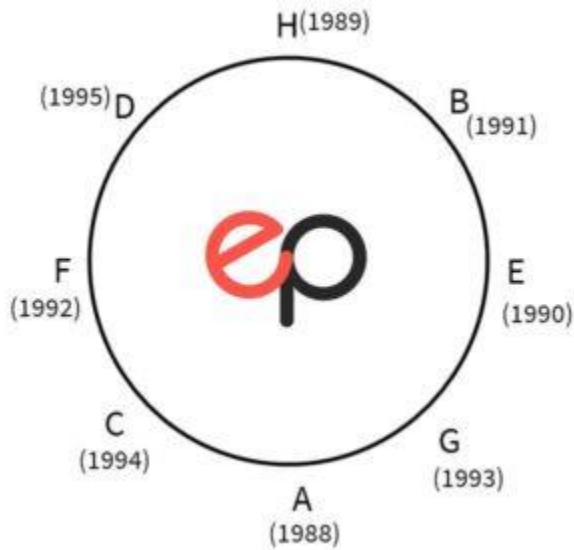


Puzzle 12

Answers:

1. Option: A
2. Option: B
3. Option: B
4. Option: A
5. Option: C
6. Option: C
7. Option: A
8. Option: D
9. Option: B
10. Option: D

Solution:



exampundit